

# Lee Sails Northeast – Inquiry/Order Form

615 Pine Drive West Bay Shore, NY 11706

Tel: (631) 665-6200 Toll Free: 1 (877) 665-SAIL Fax: (631) 665-8710

www.LeeSailsNE.com email: Quotes@LeeSailsNE.com

## Billing Information

Name \_\_\_\_\_

Address \_\_\_\_\_

City \_\_\_\_\_

State \_\_\_\_\_ Zip Code \_\_\_\_\_

Home Phone \_\_\_\_\_

Bus. Phone \_\_\_\_\_

Email #1 \_\_\_\_\_

Email #2 \_\_\_\_\_

Website \_\_\_\_\_

## Ordering Information

Order Amount \$ \_\_\_\_\_

NY Sales Tax \$ \_\_\_\_\_

Shipping \$ \_\_\_\_\_

Total \$ \_\_\_\_\_

Deposit (25%) \$ \_\_\_\_\_

Credit Card # \_\_\_\_\_

Credit Card Exp. \_\_\_\_/\_\_\_\_

Security Code On Back \_\_\_\_\_

Ship to this Address? **Circle Y or N**

Put Balance Due to this Card Automatically and Ship? **Circle Y or N**

**Normal Delivery 4 to 7 Weeks**

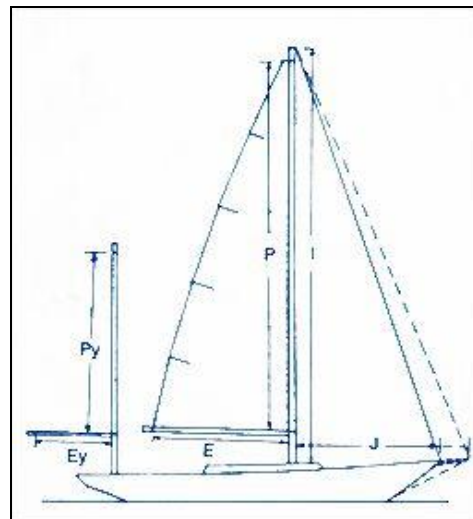
**I Confirm my Order** (Signature required) \_\_\_\_\_

**Boat Model** \_\_\_\_\_ **Length** \_\_\_\_\_

I am using my boat for \_\_\_\_\_ **Cruising** \_\_\_\_\_ **Racing** \_\_\_\_\_ **Blue Water**

Please check only one set of measurements that you would like us to use to make your sail(s). The other information will only be used as a reference. **If nothing is checked** and sail dimensions (Luff, Foot, Leech) are provided we will use these dimensions to make the sail. **If you check more than one** we will have to contact you and this might delay how quickly your sail is made. The more information you give us the better.

<b>** Main, Mizzen, Foresail, Storm Trysail **</b>		
Check One	<b>Main</b>	<b>Mizzen</b>
_____ Rig (Measured between black bands)		
	<b>P</b> _____	<b>Py</b> _____
	<b>E</b> _____	<b>Ey</b> _____
_____ Max (Measured max possible distance)		
	<b>Hoist</b> _____	<b>Hoist</b> _____
	<b>Foot</b> _____	<b>Foot</b> _____
_____ Sail (Exact sail dimensions desired)		
Luff	_____	_____
Foot	_____	_____
Leech	_____	_____



For your reference

Full Battens, Standard or None (F,S,N) **Main** \_\_\_\_\_ **Mizzen** \_\_\_\_\_

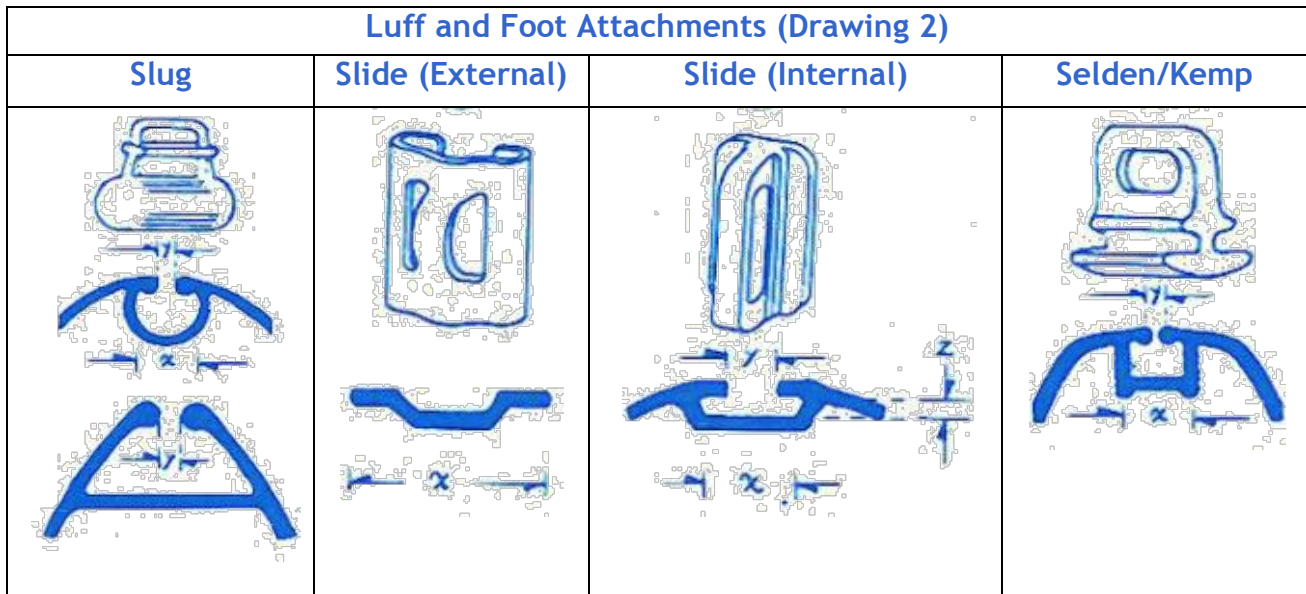
# Lee Sails Northeast – Inquiry/Order Form

615 Pine Drive West Bay Shore, NY 11706

Tel: (631) 665-6200 Toll Free: 1 (877) 665-SAIL Fax: (631) 665-8710

[www.LeeSailsNE.com](http://www.LeeSailsNE.com) email: [Quotes@LeeSailsNE.com](mailto:Quotes@LeeSailsNE.com)

Additional Information		
	Main	Mizzen
Rake	_____	_____
Gaff/Head	_____	_____
Throat to Clew Diagonal	_____	_____
Cloth Weight	_____	_____
Cloth Color	_____	_____
Insignia	Yes ___ No ___	Yes ___ No ___
Insignia Color	_____	_____
Numbers	_____	_____
Color for Numbers	_____	_____
Cunningham	Yes ___ No ___	Yes ___ No ___



## Main

### Luff Attachments

Slug – 5/16", 3/8", 1/2" (Diameter)  
 Slide (Internal) – 5/8", 3/4", 7/8"  
 Slide (External) – 5/8", 7/8", 1"  
 Grommets (Internal Diameter) \_\_\_\_\_  
 Bolt Rope Size \_\_\_\_\_

### Foot Attachments

Slug – 5/16", 3/8", 1/2" (Diameter)  
 Slide (Internal) – 5/8", 3/4", 7/8"  
 Slide (External) – 5/8", 7/8", 1"  
 Grommets (Internal Diameter) \_\_\_\_\_  
 Bolt Rope Size \_\_\_\_\_

## Mizzen

### Luff Attachments

Slug – 5/16", 3/8", 1/2" (Diameter)  
 Slide (Internal) – 5/8", 3/4", 7/8"  
 Slide (External) – 5/8", 7/8", 1"  
 Grommets (Internal Diameter) \_\_\_\_\_  
 Bolt Rope Size \_\_\_\_\_

### Foot Attachments

Slug – 5/16", 3/8", 1/2" (Diameter)  
 Slide (Internal) – 5/8", 3/4", 7/8"  
 Slide (External) – 5/8", 7/8", 1"  
 Grommets (Internal Diameter) \_\_\_\_\_  
 Bolt Rope Size \_\_\_\_\_

# Lee Sails Northeast – Inquiry/Order Form

615 Pine Drive West Bay Shore, NY 11706

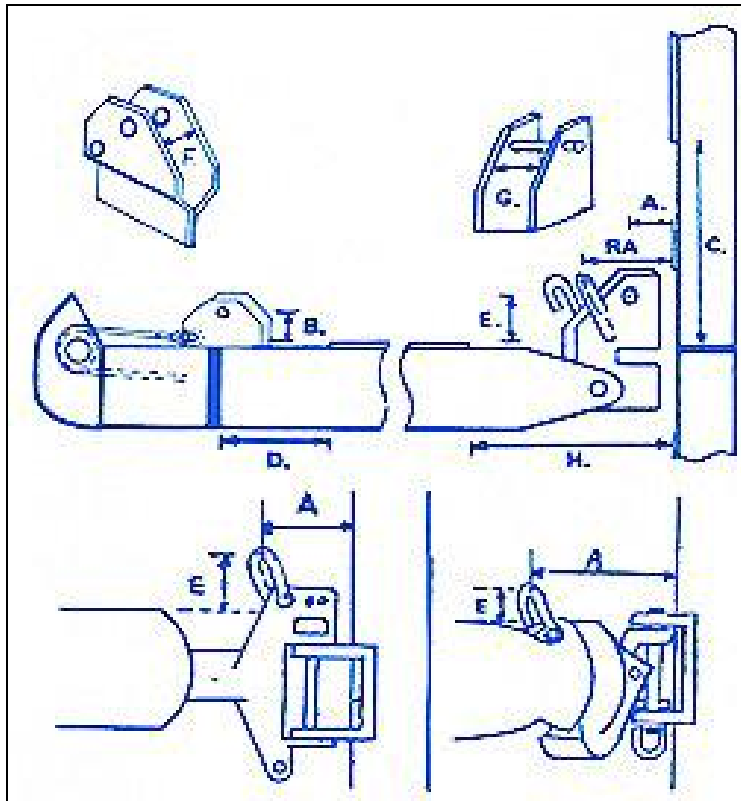
Tel: (631) 665-6200 Toll Free: 1 (877) 665-SAIL Fax: (631) 665-8710

[www.LeeSailsNE.com](http://www.LeeSailsNE.com) email: [Quotes@LeeSailsNE.com](mailto:Quotes@LeeSailsNE.com)

## Reef Points

	Main	Mizzen
1 <sup>st</sup> – Distance Above Boom to Bottom of Reef Point	_____	_____
2 <sup>nd</sup> – Distance Above Boom to Bottom of Reef Point	_____	_____
3 <sup>rd</sup> – Distance Above Boom to Bottom of Reef Point	_____	_____
Cunningham	_____	_____

## 3 Kinds of Tack offset and Outhaul Car Configurations (Drawing 3)



### Tack Offset (Drawing 3 on P.3)

	Main	Mizzen
A. Back of Mast to Pin	_____	_____
C. Top of boom to top of mast gate	_____	_____
E. Top of boom to tack pin center	_____	_____
G. Jaw width (inside)	_____	_____

### Outhaul Car (Drawing 3 on P.3)

	Main	Mizzen
B. Top of boom to clew pin center	_____	_____
D. Length of outhaul track	_____	_____
F. Jaw width, Inside	_____	_____

# Lee Sails Northeast – Inquiry/Order Form

615 Pine Drive West Bay Shore, NY 11706

Tel: (631) 665-6200 Toll Free: 1 (877) 665-SAIL Fax: (631) 665-8710

[www.LeeSailsNE.com](http://www.LeeSailsNE.com) email: [Quotes@LeeSailsNE.com](mailto:Quotes@LeeSailsNE.com)

**\*\* Jib, Genoa, Staysail, Storm Jib, Yankee, Drifter/Reacher \*\***

<b>Check One</b>
<input type="checkbox"/> <b>Rig Dimensions</b>
<b>I</b> _____
<b>J</b> _____
<input type="checkbox"/> <b>Sail (Exact sail dimensions)</b>
<b>Luff</b> _____
<b>Foot</b> _____
<b>Leech</b> _____
<input type="checkbox"/> <b>Percentage</b>
<b>Headsail Percentage</b> _____ %
<b>Cloth Weight</b> _____
<b>Cloth Color</b> _____

<b>Furling Information</b>
<b>Manufacturer</b> _____
<b>Model Number</b> _____
<b>Required Furling Dimensions</b>
<b>“S” Max Hoist</b> _____
<b>“V” Cut Back</b> _____
<b>“W” Tack to Feeder</b> _____
<b>Luff Tape Information</b>
<b>Luff Tape Number</b> _____
<b>“X” Inside Diameter</b> _____
<b>“Y” Opening</b> _____
<b>Sun Cover Information</b>
<b>Color Number</b> _____
<b>Sewn On Starbord</b> Yes ___ No ___

<b>Other Luff &amp; Foot Attachments</b>
<b>Hanks</b> _____
<b>Wire Luff (Standard) or Rope</b> _____
<b>Foot Attached to Boom?</b> Yes ___ No ___
<b>Head Foil System?</b> _____
<b>Additional Options</b>
<b>Pennants</b> _____
<b>Head (Inches)</b> _____
<b>Tack (Inches)</b> _____
<b>View Window</b> _____
<b>Telltale Window</b> _____
<b>Camber/Draft Stripes</b> _____
<b>Include Ready Bag(s)</b> _____
<b>Color Number</b> _____

Notes: Have Patch numbers? A Boom Gallows? Special Tack Angles Needed? Club Footed Sail ?  
Use this space to tell us anything you think we need to know in order to make your sail correctly.  
Remember, it's your sail and we want to get it right! So, we'll make it exactly the way you tell us to! Thanks for your order!